

Button Manual

1. Model

BT-2413-20

2. Product

Push Button

3. General

- (A) Installation location: On the car operation panel or the hall station.
- (B) Function: For elevator calling for Hall position or Car position.

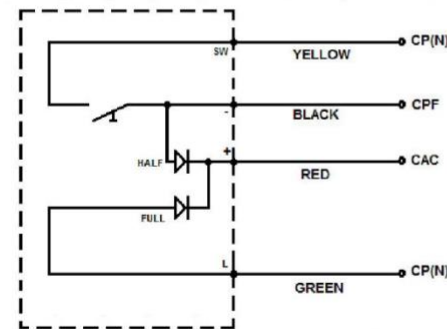
4. Operation

- (A) Fix the units on the car operation panel or the hall station.
- (B) Follow the wiring diagram to connect the wires.
- (C) Check the short circuit between the wires multi-meter.
- (D) Power on and press the button to confirm if it works normally.
- (E) The installation is finished after the above procedure.

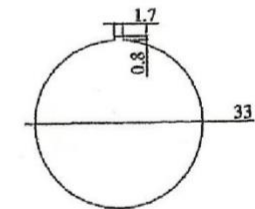
5. Specification

Standard voltage	DC 24V	
Voltage range	DC 18V~ DC 30V	
Standby consumption power	0.04W	
Standby consumption current	1.8mA	
Consumption current in operation	Standard voltage	20mA
	Lowest voltage	13mA
	Highest voltage	27mA
Push strength	400g±50g	
Mechanical Life-span	10 million	
Display type	LED	
Color	write when standby and red when operation	
Dimension (L*W*H)	37*37*19.5mm	
Weight	15.5g	

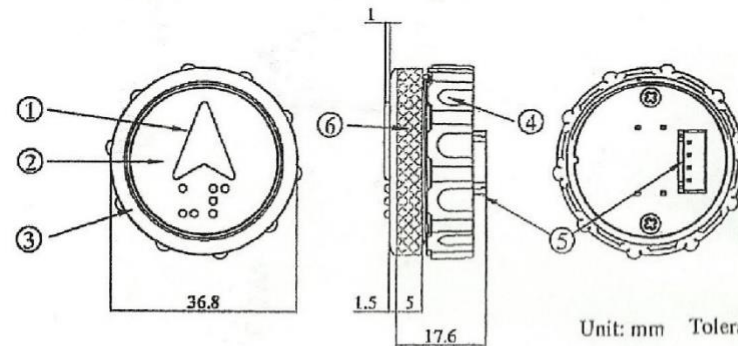
6. Wiring Diagram



7. Diagram for Stud Opening



8. Dimension Diagram



Unit: mm Tolerance: ± 0.3 mm

9. 3 Wire

- CAC/LAC Red
- LPF/ CPF Black
- LP1/CP1 Etc Yellow & Green

10. 4 Wire

- CAC/LAC Red
- LPF/CPF Black
- Push Return Yellow
- Lamp Return Green

No.	Item
1	Plastic symbol slice (transparent brown PP)
2	1T Hairline stainless steel
3	Hairline stainless steel board
4	Fixed cover(ABS)
5	Connector
6	Bushing(raised 5mm) For exit floor

PB4 NEW LC SL BUTTON CONNECTIONS

DOP WIRING

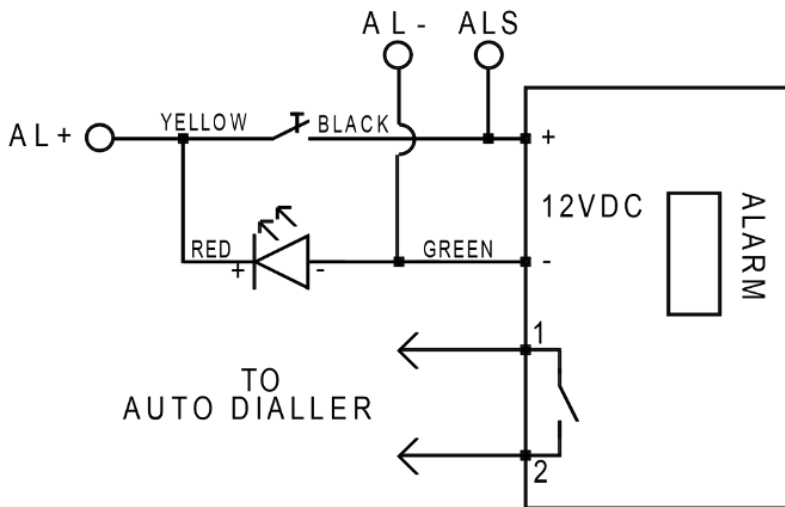
(DOP) YELLOW — — BLACK (CPF)

(DOPI) GREEN — — RED (CAC)

** YOU MUST REFER TO WIRING DIAGRAMS FOR CORRECT CONNECTION

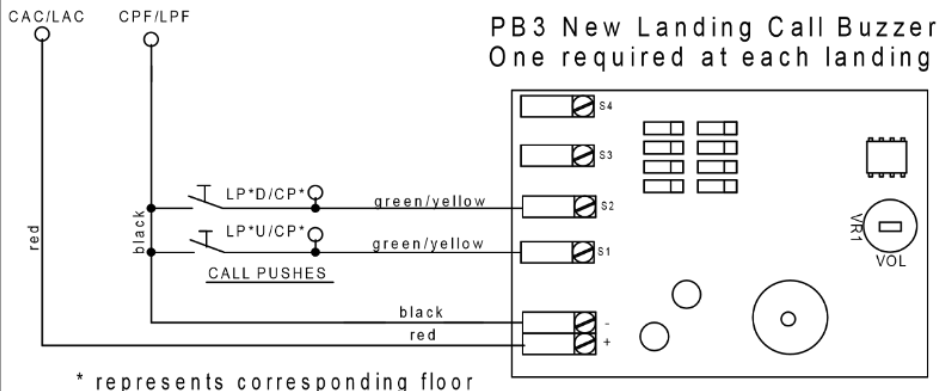
ALARM

AL+ = RED & YELLOW
 ALS = BLACK
 AL = GREEN



3 WIRE STANDARD

CPF/LPF = BLACK
 CAC/LAC = RED
 PUSH RETURN = GREEN & YELLOW



OLD BUZZER BOARD

CPF/LPF = BLACK
 CAC/LAC = RED
 CPR/LPR = YELLOW
 CPI/LPI = GREEN

TITLE	
Schematic drawing for a Push Button 4	
DATE:	07/05/2019
PAGE NO:	1 of 1



LESTER CONTROL SYSTEMS LTD
 Unit D, 18 Imperial Way
 Croydon, Surrey
 CR0 4RR
 TEL: 020 8288 0668
 FAX: 020 8288 0667
 EMAIL: info@lestercontrols.co.uk

NOTES