

Keyswitch Manual

1. Model

SW-0001-P(TYPE B)

2. Product

Keyswitch

3. General

(A)Installation Location:On the car operation panel

(B)Function:Use the keyswitch to control the elevator

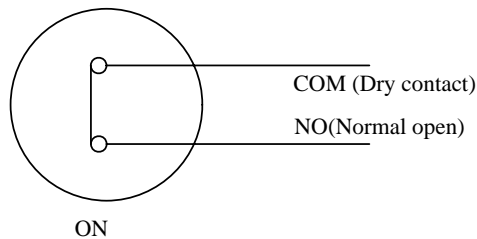
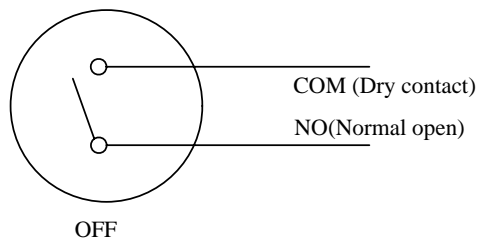
4. Operation

(TYPE B) Removable in OFF & ON.

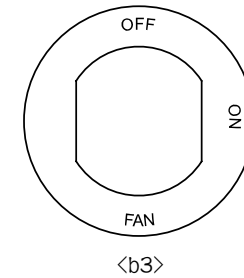
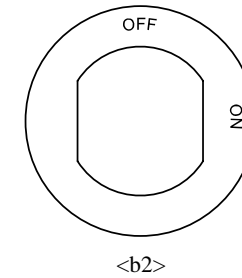
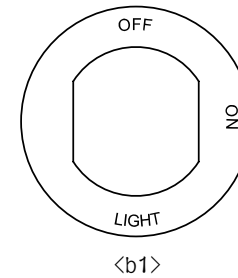
5. Specification

Max duration voltage	DC 28V	AC 125V	AC 250V
Max duration current	4 A	4 A	2 A

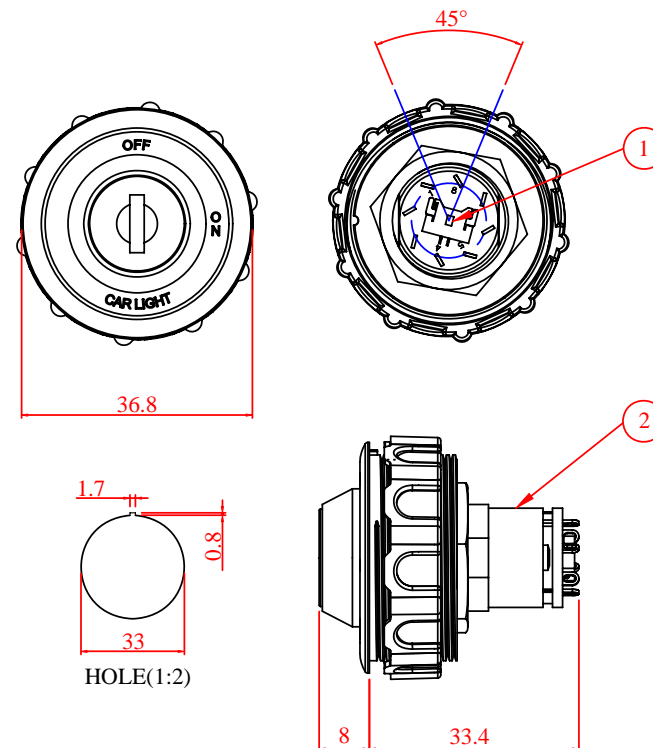
6. Wiring Diagram



7. Marking



8. Dimension Diagram



unit: mm

No.	Item
1	Connector
2	LOCK