

Keyswitch Manual

1. Model

SW-0001-P(TYPE A)

2. Product

Keyswitch

3. General

(A)Installation Location:On the car operation panel

(B)Function:Use the keyswitch to control the elevator

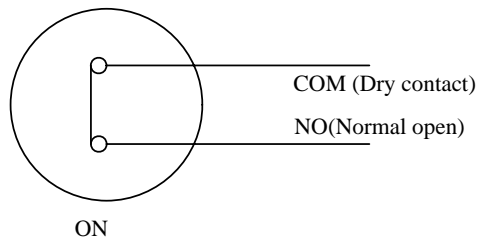
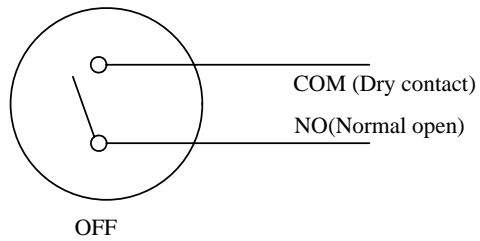
4. Operation

(TYPE A) Removable in OFF Only, not in the ON Position.

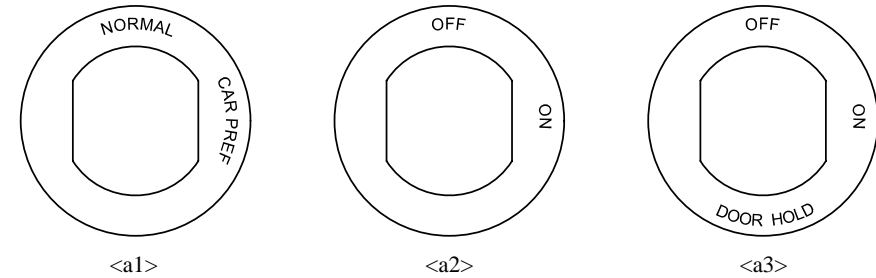
5. Specification

Max duration voltage	DC 28V	AC 125V	AC 250V
Max duration current	4 A	4 A	2 A

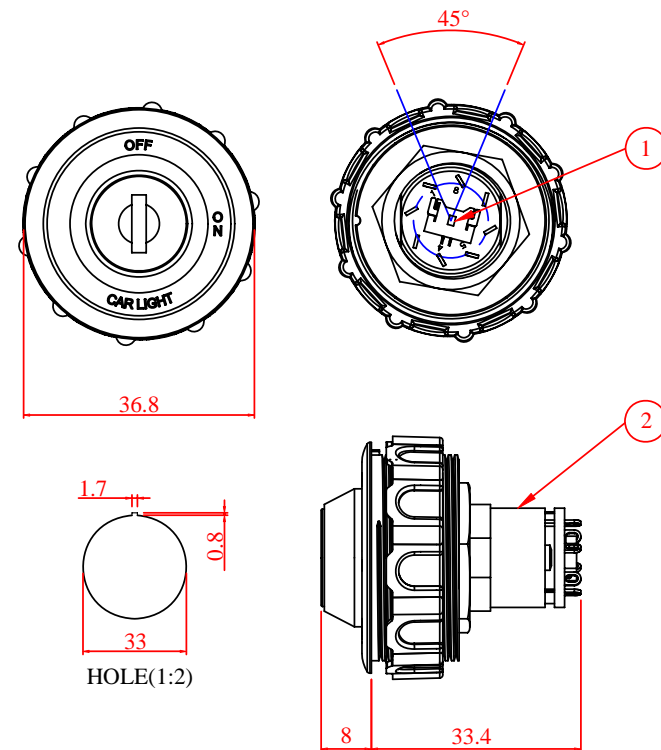
6. Wiring Diagram



7. Marking



8. Dimension Diagram



unit: mm

No.	Item
1	Connector
2	LOCK