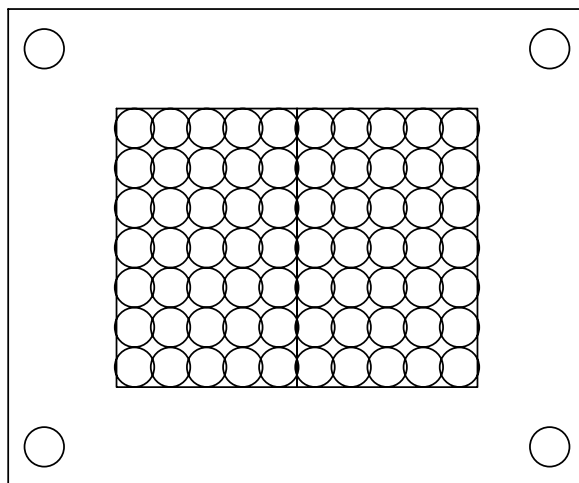
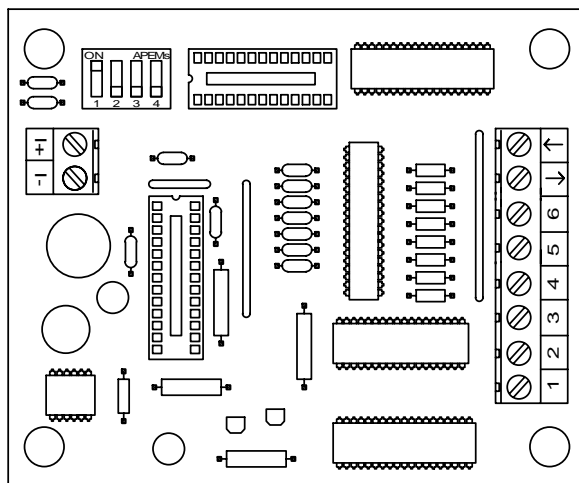


## FRONT VIEW

STANDARD DISPLAY

- 1) B/G 4/5 FLOORS
- 2) STANDARD SET DILL SWITCH 1 TO ON, 2, 3, AND 4 TO OFF
- 3) 2 WIRE SET DILL SWITCH 2 TO ON, 1, 3 AND 4 TO OFF
- 4) BINARY ENCODED DISPLAY SET DILL SWITCHES 1 & 4 TO ON UNLESS USING TWO WIRE IN WHICH CASE DILL SWITCHES 2 & 4 ARE SWITCHED TO ON.

## REAR VIEW

POWER SUPPLY

12/24 V AC/DC  
(See Note 1)

SIGNALS

UPARROW  
DOWNARROW  
HIGHEST FLOOR  
1 2 3 4 5 6  
LOWEST FLOOR

NOTE 1

'+' AND '-' IS POWER SUPPLY TO DISPLAY

'+' BEING THE SIGNAL TO DISPLAY

date 15.08.02

editor Mark Sadler

check Mark Sadler

TITLE:-

DU2 PCB LAYOUT



LESTER CONTROL SYSTEMS LTD  
Unit D, 18 Imperial Way  
Croydon, Surrey  
CR9 4QP

Tel:- 020 8288 0668  
Fax:- 020 8288 0667  
Email:- info@lestercontrols.co.uk

Company:

Order No.:

Floor Designation: