



# Lester Control Systems Ltd

Unit D, 18 Imperial Way, Croydon, Surrey, CR0 4RR.

Tel: **020 8288 0668**

Fax: 020 8288 0667

Email: [info@lestercontrols.co.uk](mailto:info@lestercontrols.co.uk)

[www.lestercontrols.co.uk](http://www.lestercontrols.co.uk)



## ALMEGA SOFTWARE UPGRADE INSTALLATION INSTRUCTIONS

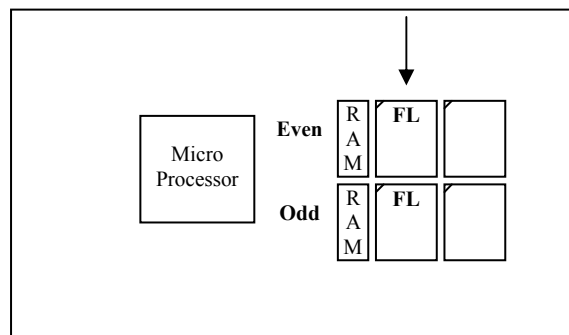
ISSUE: 1 Date: 28-10-2005

### List of Equipment.

- 1) Software Flash Chips (ODD / EVEN).
- 2) PLCC IC Extraction Tool.

### Method / Procedure.

- 1) Backup / Save Lift Parameters (pre-caution).
  - a. Press "MENU" on the Almega keypad. (Scroll Bar on LCD should be over **EVENT HISTORY**)
  - b. Press "↓" until the LCD scroll bar reaches the bottom over **PARAMETER CONTROL** ("double clicking ↓" causes scroll bar to speed up (page DN)).
  - c. Press "ENTER" over **PARAMETER CONTROL**.
  - d. Press "↓" until the LCD scroll bar reaches **STORE AS FACTORY / USER**.
  - e. Press "ENTER" over **STORE AS FACTORY / USER**. If the display asks for "Password Lev 1 Req'd", press the "MODE" key and hold it, and then press "ENTER".
  - f. The display backlight should now start to flash, and the LCD should display "**Storing Parameters**", which in turn should disappear when complete.
  - g. Switch Off Control Panel
- 2) Remove CPU card.
  - a. Remove all connections (Top and Bottom) from the CPU card, which is located on the most left hand side on the rack, behind the LCD lid. REMEMBER WHERE EACH CONNECTOR WAS LOCATED!
  - b. Unclip the LCD lid from the bottom (snap on fixing) by pulling down and towards.
  - c. Pull the LCD lid and hence CPU card out from the rack.
- 3) Remove Old Software Flash Chips / Insert New.
  - a. Locate the two Flash Chips ODD / EVEN as below



- b. Note the Top Left has the 45° Angle.
  - c. Remove both IC's carefully with the IC removal tool provided. Insert both hooks to the side of the IC's, Bottom left and Top Right, and squeeze gently. The IC should self extract.
  - d. Insert new flash chips, one at a time by first locating the 45° Angle (Top Left), and then secondly ensuring ODD to ODD socket and EVEN to EVEN, place the IC over the IC socket, so it appears to start entering the socket.
  - e. Squeeze the IC gently from the top until it overcomes the spring pressure of the socket and clips in. Ensure IC is all the way in the socket, and flat.
- 4) Re-insert CPU card.
- a. Place the CPU back into the most left hand slot of the rack, until it stops on the back stopper.
  - b. Clip the CPU lid back onto the rack, locating from the top, and pushing down and away from.
  - c. Restore all connections (Top and Bottom) to the CPU card, starting at the back (nearest back-plate) as REMEMBERED!
  - d. Switch power back on, LCD should flash for a while until a parameter procedure has completed.
- 5) Restore Backed Up Lift Parameters.
- a. Press "MENU" on the Almega keypad. (Scroll Bar on LCD should be over **EVENT HISTORY**)
  - b. Press "↓" until the LCD scroll bar reaches the bottom over **PARAMETER CONTROL** ("double clicking ↓" causes scroll bar to speed up (page DN)).
  - c. Press "ENTER" over **PARAMETER CONTROL**.
  - d. Press "↓" until the LCD scroll bar reaches **LOAD FACTORY / USER**.
  - e. Press "ENTER" over **LOAD FACTORY / USER**. If the display asks for "Password Lev 1 Req'd", press the "MODE" key and hold it, and then press "ENTER".
  - f. The display backlight should now start to flash, and the LCD should display "**Loading Parameters**", which in turn should disappear when complete.
  - g. Press "ESC" once to get scroll bar back over **LOAD FACTORY / USER**.
  - h. Press "↑" once so the scroll bar is over **STORE NORMAL PARAMS**.
  - i. Finally Press Enter over **STORE NORMAL PARAMS** to restore saved parameters.
  - j. The display backlight should now start to flash, and the LCD should display "**Storing Parameters**", which in turn should disappear when complete.
  - k. Power Down and back Up again to refresh and verify operation was successful.